

**Errata for the 11th and 12th Printings of  
"Understanding Digital Signal Processing, 2/E",  
by Richard Lyons**

I beg your pardon for the typographical errors in the book.  
It will not take long to make these corrections. I promise.  
-Rick Lyons-

---

**Page 7:** In the third line below Eq. (1-7), the text:

"... indicate that  $X_{\text{sum}}(n)$  has a frequency ..."

The uppercase "X" should be lowercase "x" as:

"... indicate that  $x_{\text{sum}}(n)$  has a frequency ..."

[Found by Angela Livingstone, 3/30/08; [Production Error]

---

**Page 37:** The " $f_s$ " labels, within the arrows, at the very bottom of Figure 2-13 should be " $f_s/2$ ".

[Found by Author [6/20/06].][Author Error]

---

**Page 38:** In the fifth line up from the bottom of the page, the text:

"... where  $m_{\text{odd}}$  is an odd integer[14]."

should be changed to:

"... where  $m_{\text{odd}}$  is an odd integer greater than one[14]."

[Found by Jim Murphy [9/14/05] & Justin Reeves [6/20/06].][Author Error]

---

**Page 40:** In the 2nd line below Eq. (2-14), the text:

" $m = 2$  provide an optimum ..."

should be changed to:

" $m_{\text{even}} = 2$  provide an optimum ..."

[Found by Justin Reeves, 6/20/06.][Author Error]

---

**Page 42:** In the middle of Table 2-2, on the right side, the text:

" $m_{\text{odd}}$  is any positive odd integer ..."

should be changed to:

" $m_{\text{odd}}$  is an odd integer greater than one ..."

[Found by Justin Reeves, 6/20/06.][Author Error]

---

**Page 48:** The incorrect letter "v" in the third line of Eq. (3-4d) should be replaced with a "·" multiplication symbol.

[Found by Uday Padmanabhan, 11/19/08.][Author Error]

---

**Page 93:** The last term in Equ. 3-37 has a missing minus sign in its exponent. The last term should be:

$$\dots + e^{-jq(K-1)}]$$

[Found by Stan Moore, 3/19/12.][Production Error]

---

On page 134, in Figure 4-2, the lower right four twiddle factors:

$$W_8^4, W_8^5, W_8^6, W_8^7$$

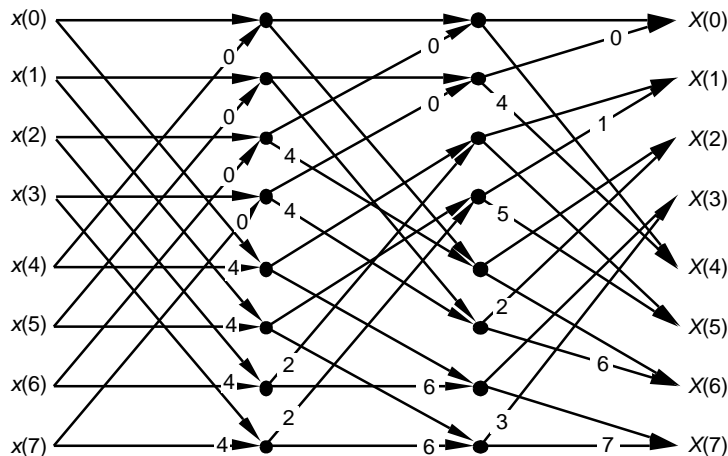
should be

$$-W_8^0, -W_8^1, -W_8^2, -W_8^3$$

[Found by Saul Iverson, 10/3/17.][Author Error]

---

**Page 143:** In Figure 4-10, in the middle stage there is the number 4 on the 1st and 2nd (counting down from the top) southeast-pointing arrows. Those 4s should not be there. The 4s should be on the 3rd and 4th southeast-pointing arrows of the middle stage as shown below.



[Found by Antoine Trux, 1/2/07.][Author Error]

---

**Page 196:** The upper limit of the summation in Eq. (5-26) is printed as:

$$"P + Q - 1"$$

It should be:

$$"P + Q - 2"$$

[Found by Author, 5/10/08.][Author Error]

---

**Page 244:** The normalized-frequency labeling (radians/sample) on the frequency axis of Figures 6-24(b) and 6-24(c) should be changed as:

- 2π changed to -4π
- π changed to -2π
- π changed to 2π
- 2π changed to 4π

[Found by Author, 10/17/08.][Author Error]

---

**Page 257:** In the eleventh line below Eq. (6-87)

"... Figure 6-21(b). Knowing that ..."

should be changed to:

"... Figure 6-**22**(b). Knowing that ..."

[Found by Yancen Li (7/14/14)]; [Author Error]

---

**Page 264:** In the 6th line of the first full paragraph, the text:

"...squeezed in toward zero Hz."

should be:

"...squeezed in toward  $f_s/2$  Hz."

[Found by VV (vanamali), 3/12/09.] [Author Error]

---

**Page 264:** In the next to the last line of the first full paragraph there's a missing "|" vertical bar character indicating "magnitude". The text:

"...in  $|H_d(f_d)$ —..."

should be:

"...in  $|H_d(f_d)|$ —..."

[Found by Author, 7/14/05.] [Author Error]

---

**Page 267:** There is a missing " $x(n)$ " factor in Equation (6-114), the first part of that equation should be:

$$y(n) = 0.20482712 \cdot \mathbf{x(n)} + 0.40965424 \cdot x(n-1) + \dots$$

[Found by Kendall Castor-Perry, 5/3/09.] [Author Error]

---

**Page 286:** The feedback coefficient of the resonator in Figure 7-3, printed as:

$$e^{j\omega r}$$

it should be changed to:

$$e^{j\omega r}$$

[Found by Author, 7/14/09.] [Production Error]

---

**Page 345:** On the right side of Figure 8-8 the term  $e^{j2\pi f_0 t}$  should be divided by two, making it

$$e^{j2\pi f_0 t}/2.$$

[Found by John Littig, 9/24/07.] [Author Error]

---

**Page 353:** In the sentence just before Eq. (8-17), the described notion of orthogonality of  $i(n)$  and  $q(n)$  is only conditionally true. Because this orthogonality topic was not described in sufficient

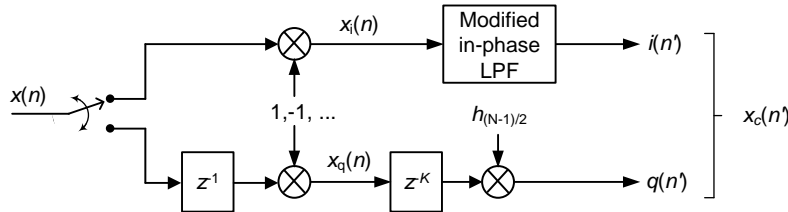
detail, I suggest you strike out both the sentence just before Eq. (8-17) as well as Eq. (8-17) itself.

[Found by Ken Walsh, 5/9/06.] [Author Error]

**Page 478:** in the fifth line down, delete the text:

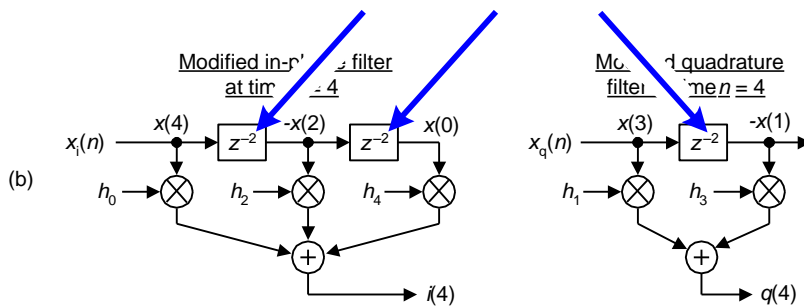
"...followed by another K delay..."

In Figure 13-6(c) the final  $z^{-K}$  delay block should be deleted making that figure look as follows:

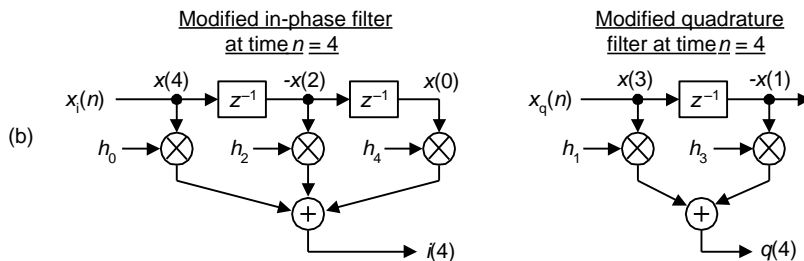


[Found by Brian Frantz, 8/8/17.] [Author Error]

**Page 479:** In Figure 13-6(b) the superscripted "-2" characters shown by the large arrows below:



Should be changed from "-2" to "-1" making Figure 13-6(b) become:



[Found by Damon Bradley, 10/1/09.] [Author Error]

**Page 484:** Equation (13-10) has suffered a series of "foul-ups" in different Printings of the book. Eq. (13-10) should be:

$$\begin{aligned}
 W(m) &= \sum_{n=0}^{N-1} \alpha e^{-j2\pi nm/N} - \frac{\beta}{2} \sum_{n=0}^{N-1} e^{j2\pi n/N} e^{-j2\pi nm/N} - \frac{\beta}{2} \sum_{n=0}^{N-1} e^{-j2\pi n/N} e^{-j2\pi nm/N} \\
 &= \alpha \sum_{n=0}^{N-1} e^{-j2\pi nm/N} - \frac{\beta}{2} \sum_{n=0}^{N-1} e^{j2\pi n(m-1)/N} - \frac{\beta}{2} \sum_{n=0}^{N-1} e^{-j2\pi n(m+1)/N}. \quad (13-10)
 \end{aligned}$$

[Found by Author, 3/22/04.] [Author Error]

**Page 518:** For more accurate results, the "12/M" factor at the beginning of Eq. (13-70) should be changed to  $\sqrt{12/M}$ . Thus Eq. (13-70) should be:

$$y_{\text{desired}}(n) = \sqrt{\frac{12}{M}} \cdot \sigma' \cdot \left[ \left( \sum_{k=1}^M x_k(n) \right) - \frac{M}{2} \right] + \mu' . \quad (13-70)$$

[Found by Bharat Pathak, 7/13/07.] [Author Error]

---

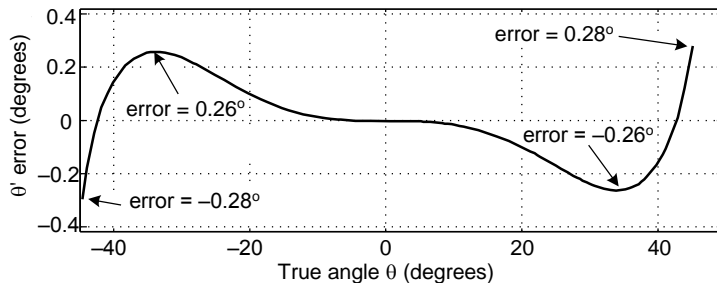
**Page 548:** 4th line below Eq. (13-107), change the text:

"... 0.26° using ..."

to

"... 0.28° using ...".

For preciseness, you might note on Figure 13-59 that the error is  $-0.28^\circ$  at True  $\theta = -45^\circ$ , and the error is  $+0.28^\circ$  at True  $\theta = +45^\circ$ , as shown in the following figure.



[Found by Chris Zarowski, 4/27/06.] [Author Error]

---

**Page 549:** 4th line below Eq. (13-109'), change the text:

"... error is 0.26° for ..."

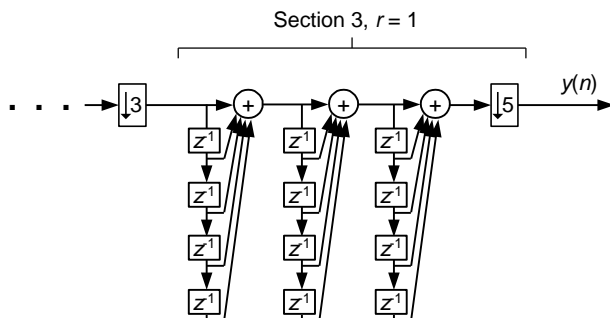
to

"...error is 0.28° for ...".

[Found by Chris Zarowski, 4/27/06.] [Author Error]

---

**Page 560:** In Figure 13-70(b), on the right side in the "Section 3,  $r = 1$ " part of the figure, there should be three stages of delay lines instead of only two stages as shown in the figure. That "Section 3,  $r = 1$ " part of the figure should look like the following:



[Found by Mike Totham, 8/31/07.] [Author Error]

---

**Page 561:** Equation (13-123) has a missing  $1/N$  scale factor in front of the summation. That equation should be:

$$M(q) = \frac{1}{N} \sum_{k=qN}^{(q+1)N-1} x(n) \quad (13-123)$$

[Found by Author, 8/24/08.][Production Error]

---

**Page 569:** In the right  $X_{\text{int}}(m)$  column of Table 13-8, the *underline* character associated with row  $m = 9$  should be a zero "0" value as follows:

$m$	$X_{\text{int}}(m)$
...	...
9	0
...	...

[Found by Author, 3/21/09.][Production Error]

---

**Page 607:** Two corrections: In the second line of Eq. (D-7), the term:

"...  $-\cos(\omega t)$  ] ..."

should be:

"...  $-\cos(2\omega t)$  ] ..."

In the third line of Eq. (D-7), the term:

"...  $-\frac{1}{2}(\sin(\omega t))$ ..."

should be:

"...  $-\frac{1}{4}(\sin(2\omega t))$ ..."

[Found by Julian Vrbancich, 10/23/12; [Author Error]

---

Dear Reader, if you find any additional errors, no matter how trivial, please notify me at: **R.Lyons@ieee.org**  
 I'd sure appreciate hearing from you and I promise I'll reply to your E-mail.

Thanks,  
 [-Rick Lyons-]

